

34321 ✓ ACTIVE

SOLISTRAND

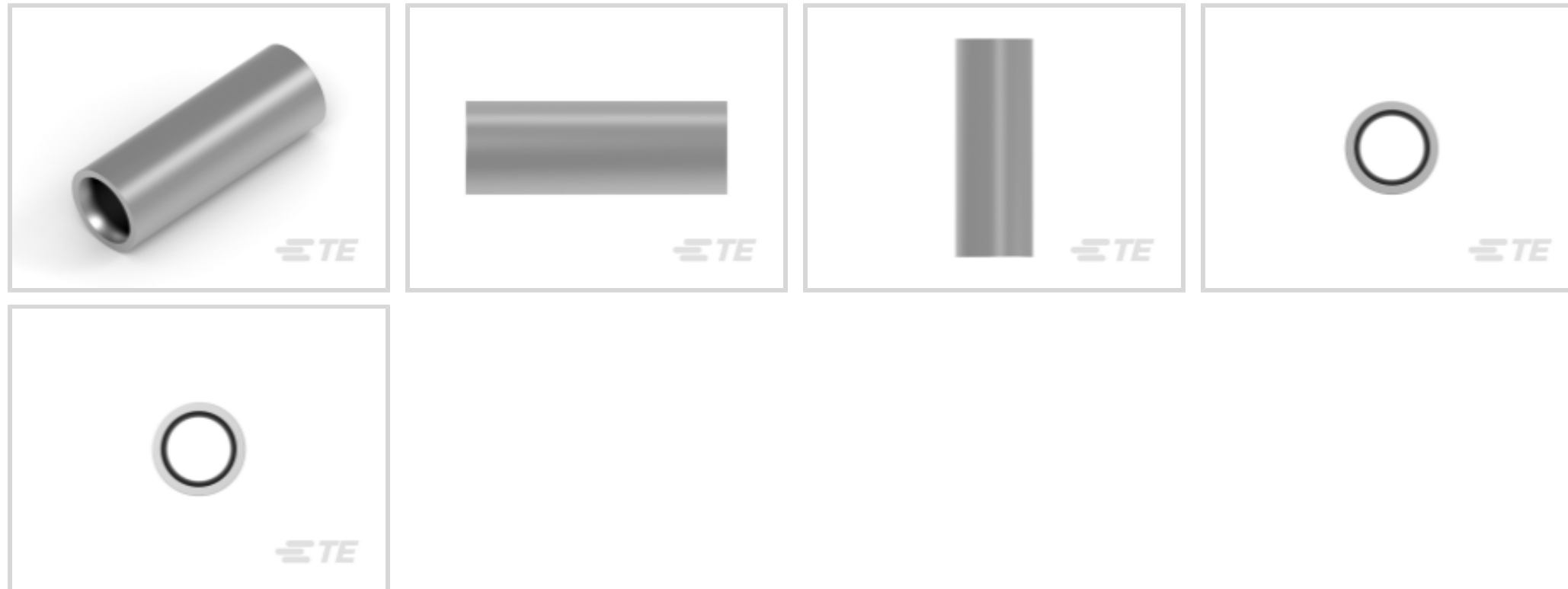
TE Internal #: 34321

Splices, 8 AWG Wire Size, 8 mm² Wire Size, Standard, .172 in [4.37 mm] Barrel Inside Diameter, 13100 – 20800 CMA Wire Size, Copper, Butt Splice Splice

[View on TE.com >](#)



Terminals & Splices > Splices



Wire Size: 8 mm²

Sealable: No

Splice Features: **Standard**

Barrel Inside Diameter: 4.37 mm [.172 in]

Features

Product Type Features

Splice Accessory Type	Splice
Sealable	No
Splice Type	Butt Splice
Serrated	No
Compatible With Discrete Wire Type	Solid, Stranded
Wire Insulation Support Retention Type	Non-Insulation Support

Configuration Features

Compatible With Wire & Cable Type	Discrete Wire
-----------------------------------	---------------

Body Features

Weight per Piece	4.142 g
Plating Material	Tin
Splice Features	Standard
Primary Product Material	Copper

Contact Features

--	--



	100 µin
Contact Plating Material	Tin
Barrel Type	Closed

Mechanical Attachment

Wire Insulation Support	Without
-------------------------	---------

Dimensions

Outside Diameter	7.52 mm[.296 in]
Wire Size	13100 – 20800 CMA
Barrel Inside Diameter	4.37 mm[.172 in]
Terminal Material Thickness	1.3 mm[.051 in]
Overall Product Length	21.01 mm[.827 in]

Usage Conditions

Insulation Option	Uninsulated
Operating Temperature Range	170 °C[338 °F]

Operation/Application

Heavy Duty	No
Compatible With Wire Base Material	Copper

Industry Standards

Government Qualified Splice	No
-----------------------------	----

Packaging Features

Packaging Quantity	100
Packaging Method	Loose Piece

Other

Military Category	No
-------------------	----

Product Compliance

[For compliance documentation, visit the product page on TE.com>](#)

EU RoHS Directive 2011/65/EU	Compliant
EU ELV Directive 2000/53/EC	Compliant
China RoHS 2 Directive MIIT Order No 32, 2016	No Restricted Materials Above Threshold
EU REACH Regulation (EC) No. 1907/2006	Current ECHA Candidate List: JUNE 2022 (224)



Candidate List Declared Against: JUNE 2022 (224)

Does not contain REACH SVHC

Halogen Content

Low Halogen - Br, Cl, F, I < 900 ppm per homogenous material. Also BFR/CFR/PVC Free

Solder Process Capability

Not applicable for solder process capability


Product Compliance Disclaimer

This information is provided based on reasonable inquiry of our suppliers and represents our current actual knowledge based on the information they provided. This information is subject to change. The part numbers that TE has identified as EU RoHS compliant have a maximum concentration of 0.1% by weight in homogenous materials for lead, hexavalent chromium, mercury, PBB, PBDE, DBP, BBP, DEHP, DIBP, and 0.01% for cadmium, or qualify for an exemption to these limits as defined in the Annexes of Directive 2011/65/EU (RoHS2). Finished electrical and electronic equipment products will be CE marked as required by Directive 2011/65/EU. Components may not be CE marked. Additionally, the part numbers that TE has identified as EU ELV compliant have a maximum concentration of 0.1% by weight in homogenous materials for lead, hexavalent chromium, and mercury, and 0.01% for cadmium, or qualify for an exemption to these limits as defined in the Annexes of Directive 2000/53/EC (ELV). Regarding the REACH Regulation, the information TE provides on SVHC in articles for this part number is based on the latest European Chemicals Agency (ECHA) 'Guidance on requirements for substances in articles' posted at this URL: <https://echa.europa.eu/guidance-documents/guidance-on-reach>

Compatible Parts



TE Part # 601075
BANTAM ROTA-CRIMP TOOL



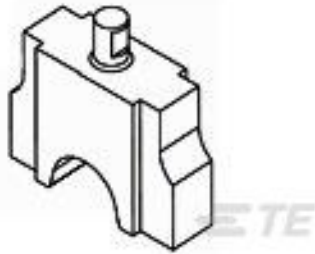
TE Part # 69355
HHHT SOLIS SOLIS FLAG STRATO 8 ASSY




TE Part # 1490413-1
HYP10 SOLIS 8AWG NEST



TE Part # 1490414-1
HYP10 SOLIS 8AWG INDENTER



TE Part # 1901001-1
NEST #8



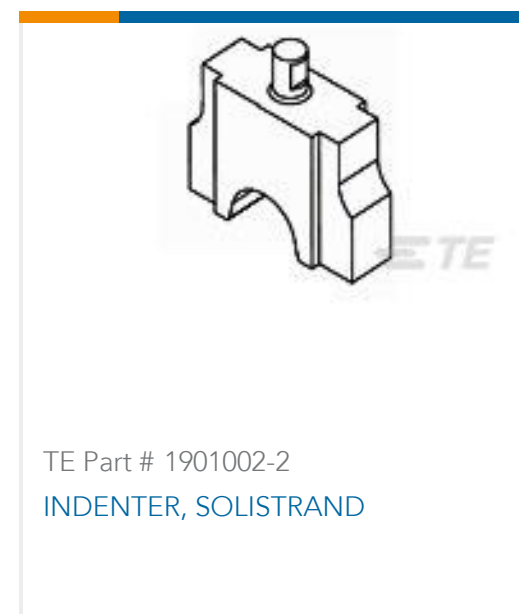
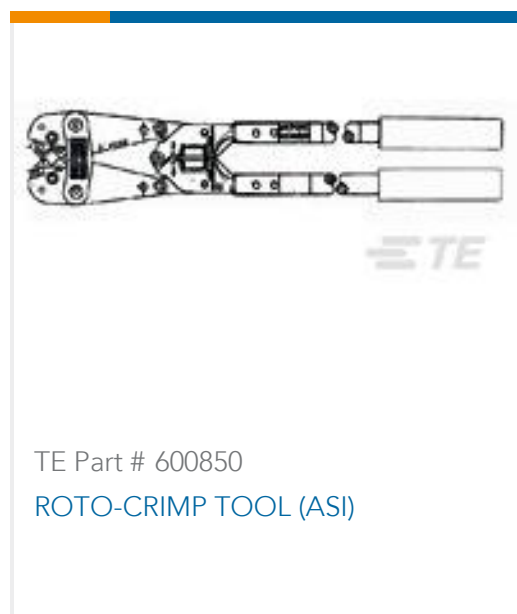
TE Part # 48355
HYP8 SOLIS 8AWG INDENTER



TE Part # 69216
HYP8/10 SOLIS 8AWG DIE SET



TE Part # 48126
HYP8 SOLIS 8AWG NEST



Documents

Product Drawings

SPLICE,SOLIS BUTT 8

English

CAD Files

3D PDF

3D

Customer View Model

[ENG_CVM_CVM_34321_G.2d_dxf.zip](#)

English

Customer View Model

[ENG_CVM_CVM_34321_G.3d_igs.zip](#)

English

Customer View Model

[ENG_CVM_CVM_34321_G.3d_stp.zip](#)

English

3D PDF

English

Customer View Model

[ENG_CVM_34321_C1.2d_dxf.zip](#)

English

Customer View Model

[ENG_CVM_34321_C1.3d_igs.zip](#)

English

Customer View Model

[ENG_CVM_34321_C1.3d_stp.zip](#)



English

By downloading the CAD file I accept and agree to the [Terms and Conditions](#) of use.

Datasheets & Catalog Pages

[SOLISTRAND - QRG](#)

English

Product Environmental Compliance

[MD_34321_021920182248_dmtec](#)

English

[MD_34321_021920182248_dmtec](#)

English

Agency Approvals

[UL Report](#)

English

[UL Report](#)

English